

ChargePoint® Express Plus



A flexible DC Fast Charging platform that grows with you.

ChargePoint, Inc. reserves the right to alter product offerings and specifications at any time without notice, and is not responsible for typographical or graphical errors that may appear in this document

Express Plus Specifications

Express Plus Power Module

Express Plus Power Module Output

| | |
|-----------------------------|-------------------|
| Max Output Power | 40 kW |
| Max Output Current | 100 A |
| Power Conversion Efficiency | Up to 96% |
| Power Factor | 0.99 at full load |

Express Plus Power Module Specifications

| | |
|-------------------------|---|
| Power Module Dimensions | 430 mm (H) x 130 mm (W) x 760 mm (L) (1'5" x 5" x 2'6") |
| Power Module Weight | 45 kg (98.5 lb.) |
| Power Module Cooling | Liquid Cooled Technology |
| Harmonics | iTHD < 5% (Complies with IEEE 519) |

Express Plus Power Block

Express Plus Power Block Input

| | |
|------------------------------|---|
| Input Rating | 3-phase, 400-480Y VAC, 310-260 A 50/60 Hz |
| Wiring | L1, L2, L3, Earth |
| Short Circuit Current Rating | 65 kA |

Express Plus Power Block Output

| | |
|-----------------------------------|--|
| Max Output Power | 200 kW |
| Output Voltage, Charging | 200 V – 1000 V |
| Max Current per Output | 200 A, 250 A, 300 A, 350 A, 500 A* |
| Number of Stations Served | One Power Block can serve up to 2 Power Link stations. Additional Power Blocks can be added to serve more stations or increase power output. |
| Max Power Modules per Power Block | 5 |

* Subject to site configuration and installed stations

ChargePoint, Inc. reserves the right to alter product offerings and specifications at any time without notice, and is not responsible for typographical or graphical errors that may appear in this document

Express Plus Power Block Specifications

| | |
|------------------------------|---|
| Power Block Dimensions | 2191 mm (H) x 988 mm (W) x 1039 mm (L) (7'3" x 3'3" x 3'5") |
| Power Block Weight | 455 kg (1000 lbs.) without Power Modules |
| Power Block Enclosure Rating | Type 3R, IP56 |

Express Plus Power Link

Express Plus Power Link Output

| | |
|------------------------------|--|
| Max Output Power | 200 kW, 250 kW, 300 kW, 350 kW with Power Blocks |
| Output Voltage, Charging | 200 V – 1000 V |
| CCS1 Max Output Current** | Option 1: 200 A continuous with Power Blocks Option 2: 375 A peak, 350 A continuous with Power Blocks |
| CCS2 Max Output Current** | Option 1: 250 A continuous with Power Blocks Option 2: 375 A peak, 300 A continuous with Power Blocks |
| CHAdeMO Max Output Current** | Option 1: NA & EU: 200 A continuous with Power Blocks Option 2: NA: 140 A, EU: 125 A continuous with Power Blocks |

**Availability may vary

Express Plus Power Link Specifications

| | |
|---------------------------|---|
| Station Dimensions | 2400mm (H) x 720mm (W) x 280mm (D) (7'11" x 2'5" x 11") |
| Station Footprint | 965mm (W) x 635mm (D) (3'2" x 2'1") with Cable Management Kit |
| Station Weight | 250 kg (550 lbs) |
| Number of Connectors | Up to 2 connectors per station |
| Supported Connector Types | CHAdeMO, CCS1 (SAE J1772™ Combo), CCS2 (IEC 61851-23) |
| Cable Length | Standard 4.5 m (15') with Cable Management Kit (CMK). [*] Optional lengths of 7.6 m (25') and 10 m (33') also available. |
| Station Enclosure Rating | Type 3R, IP56 |
| Locking Holster | Yes |
| Mounting Type | Ground, Wall, Overhead |

^{*}Horizontal reach to typical vehicle charging port is 3.6 m (12 ft)

ChargePoint, Inc. reserves the right to alter product offerings and specifications at any time without notice, and is not responsible for typographical or graphical errors that may appear in this document

Functional Interfaces

| | |
|----------------|---|
| LCD Display | Full-color 200 mm (8") LCD display (optional) |
| Authentication | RFID: ISO 15693, ISO 14443, NEMA EVSE 1.2-2015 (UR) Tap to Charge (NFC on Apple & Android) 15118-2 (EIM) Remote: Mobile and in vehicle (if supported by vehicle) |

Connectivity Features

| | |
|-----------------------------------|---|
| Local Area Network | 2.4 GHz and 5 GHz WiFi (802.11 b/g/n) |
| Wide Area Network | 4G LTE |
| Supported Communication Protocols | OCPP 2.0 |
| Service and Maintenance | Remote system monitoring, diagnostic, and proactive maintenance |

Safety and Operational Ratings

| | |
|------------------------------|--|
| Vehicle Safety Communication | CHAdeMO – JEVS G104 over CAN, CCS1 – SAE J1772 over PLC and CCS2 — IEC 61851-23 |
| Plug-In Detection | Power terminated per JEVS G104 (CHAdeMO), SAE J2931 (CCS1) and IEC 61851-23 (CCS2) |
| Safety Compliance | Complies with UL 2202, UL 2231-1, UL 2231-2, CSA 107.1 Shipped product will be UL and cUL listed. Complies with IEC 61851-1 and IEC 61851-23. Shipped product will be CE marked. |
| Surge Protection | Tested to IEC 61000-4-5, Level 5 (6 kV @ 3,000A). In geographic areas subject to frequent thunderstorms, supplemental surge protection at the service panel is recommended. |
| EMC Compliance | U.S and Canada: FCC 15 subpart A Class A; EU: EN55011, EN55022 and IEC61000-6-3 Class B |

Generic Specifications

| | |
|-----------------------|--------------------------------|
| Operational Altitude | <3,000 m (<9,800 ft) |
| Operating Temperature | -40°C to 50°C (-40°F to 122°F) |
| Storage Temperature | -40°C to 70°C (-40°F to 158°F) |

ChargePoint, Inc. reserves the right to alter product offerings and specifications at any time without notice, and is not responsible for typographical or graphical errors that may appear in this document

| | |
|--------------------|---|
| Operating Humidity | Up to 95% @ 50°C (122°F) non-condensing |
|--------------------|---|

Energy Management Features

| | |
|--------------------------|---|
| Dynamic Power Management | Allows a fixed maximum power output per station or lets the system dynamically manage the power distribution per station. |
| Remote Energy Management | Manage output power via the ChargePoint Admin Portal, API, and Open ADR 2.0b VEN. |

Hardware Ordering Information

The order codes below represent common product configurations. Other product options are available upon request. Please contact ChargePoint Sales for information and order codes. All SKU's displayed include standard cable management and mounting kit. Note, Power Link and Power Block current ratings must match. Eg. 250 A with 250A, 200 A with 200 A.

| Description | | Order Code |
|-------------------|---|--|
| Commercial Models | Express Plus Power Block, 350 A or 300 A rated output | EXPP-PB1000-350A-PD or EXPP-PB1000-300A-PD |
| | Express Plus Power Link, North America version, 1x CCS1 350 A cable, 1x CHAdeMO 200 A cable, Pedestal, with display | EXPP-PL1021A-5A1S1-2A3S1 |
| | Express Plus Power Link, Europe/UK version, 1x CCS2 300 A cable, 1x CHAdeMO 200 A cable, Pedestal, with display | EXPP-PL1121B-4A2S1-2A3S1 |
| Fleet Models | Express Plus Power Block, 250 A or 200 A rated output | EXPP-PB1000-250A-PD or EXPP-PB1000-200A-PD |
| | Express Plus Power Link NA Version. 1x CCS1 200A 4.5m cable, Pedestal, No display. | EXPP-PL1011X-2A1S1 |
| | Express Plus Power Link NA Version. Same as above but with 2x CCS1 Connectors | EXPP-PL1021X-2A1S1-2A1S1 |
| | Express Plus Power Link Europe/UK Version. 1x CCS2 250A 4.5m cable, Pedestal, No display. | EXPP-PL1111X-3A2S1 |

ChargePoint, Inc. reserves the right to alter product offerings and specifications at any time without notice, and is not responsible for typographical or graphical errors that may appear in this document

| | | |
|--|---|--------------------------|
| | Express Plus Power Link Europe/UK Version. Same as above but with 2x CCS2 | EXPP-PL1121X-3A2S1-3A2S1 |
|--|---|--------------------------|

Hardware Ordering Information, Cont.

| Description | | Order Code |
|-----------------------------|--|---|
| Other Connector Options | Cable connectors available include CCS1, CCS2, and/or CHAdeMO. Cables can be ordered with a single or a combination, as well as lengths and amperage depending on application. | Please contact ChargePoint Sales for assistance in ordering |
| Power Module | EXPP Power Module | EXPP-PM-40kW |
| Mounting & Template Options | Mounting kits and templates for various mounting are available | Please contact ChargePoint Sales for assistance in ordering |
| Buy America | Buy America (FTA & FHWA) options available upon request | Add -FTA or -FHWA to part numbers above |

Software & Services Ordering Information

| Description | | Order Code |
|---|--|--------------------------|
| ChargePoint Enterprise Cloud Plan (Commercial) <i>Note: One token per vehicle. Station activation is included in this plan.</i> | | CPCLD-ENTERPRISE-EXPP-n* |
| ChargePoint Enterprise Cloud Plan (Fleet) <i>Note: One token per vehicle. Station activation is included in this plan.</i> | | CPCLD-FLEETENT-EXPP-n* |
| ChargePoint Assure® — Prepaid Assure Plan for an Express Plus Single Cable station. | | EXPP-PL1000-SC-ASSURE-n* |
| ChargePoint Assure® — Prepaid Assure Plan for an Express Plus Dual Cable station. | | EXPP-PL1000-DC-ASSURE-n* |
| ChargePoint Assure® — Prepaid Assure Plan for Express Plus Power Block. | | EXPP-BLOCK-ASSURE-n* |
| Commissioning Service (Required per Power Block): includes on-site validation and inspection of electrical, mechanical, installation, wiring and civil parameters for the Express Plus Power Block. | | EXPP-BLOCK-COMMISSIONING |

ChargePoint, Inc. reserves the right to alter product offerings and specifications at any time without notice, and is not responsible for typographical or graphical errors that may appear in this document

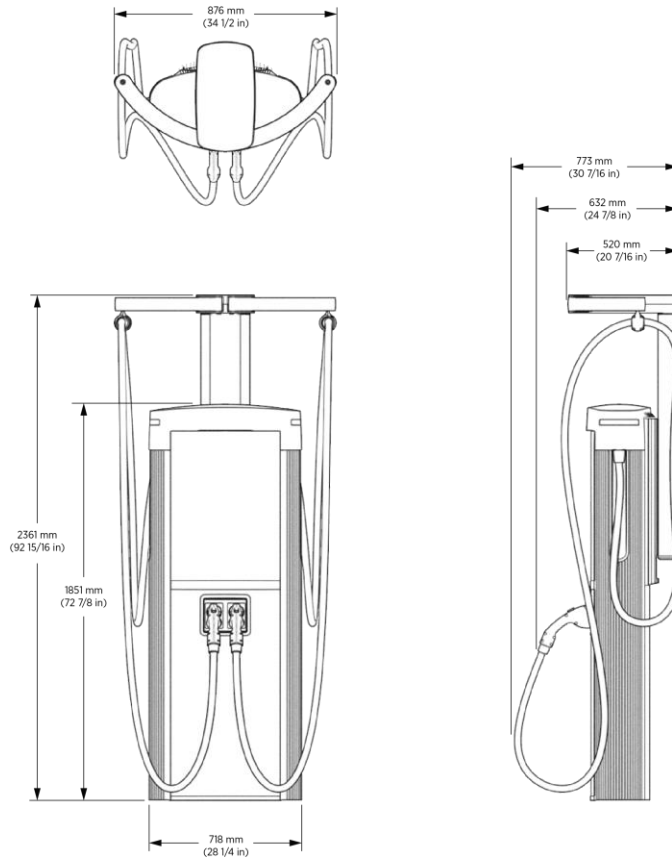
| | |
|---|---------------------------|
| Commissioning Service (Required per Power Link): includes on-site validation and inspection of electrical, mechanical, installation, wiring and civil parameters for the Express Plus Power Link. | EXPP-PL1000-COMMISSIONING |
|---|---------------------------|

Note: All Express Plus Power Link stations require a cloud plan.

*Substitute *n* for desired years of service (1, 2, 3, 4 or 5 years). Includes parts and labor warranty, remote technical support, on-site repairs when needed, unlimited configuration changes, and reporting.

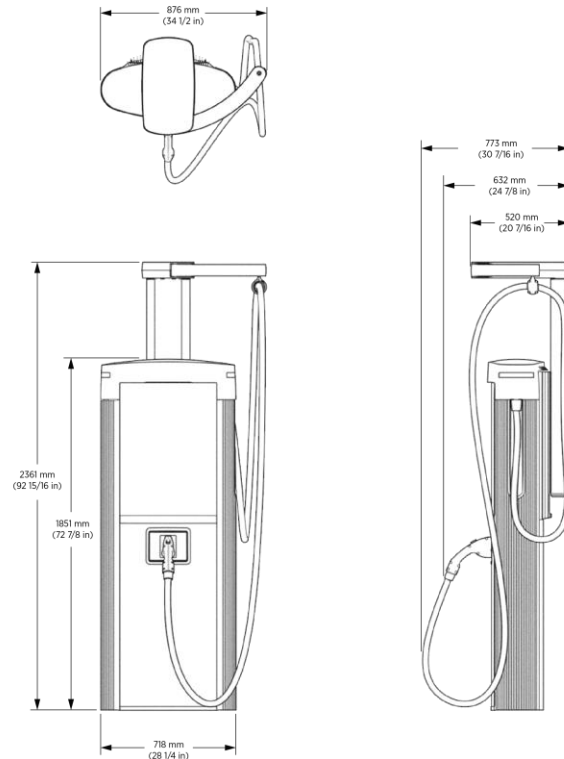
Architectural Drawings

Express Plus Power Link, No Display (Fleet Option Only)

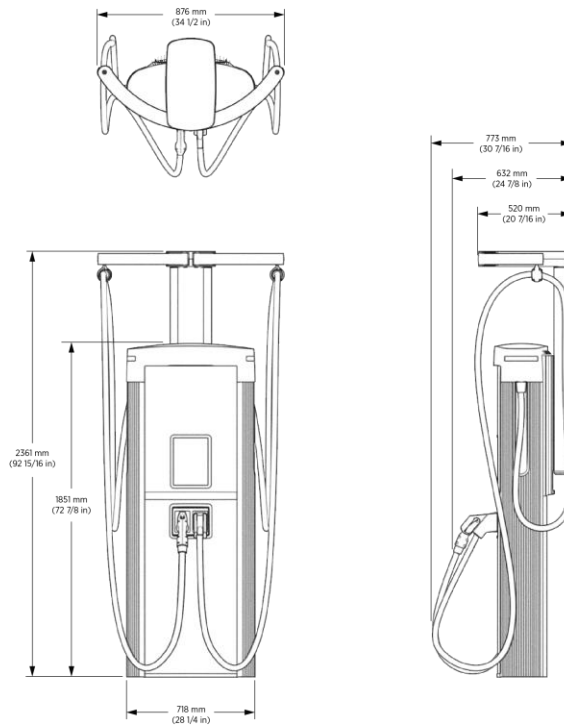


ChargePoint, Inc. reserves the right to alter product offerings and specifications at any time without notice, and is not responsible for typographical or graphical errors that may appear in this document

Express Plus Power Link, No Display, Single Connector (Fleet Option Only)

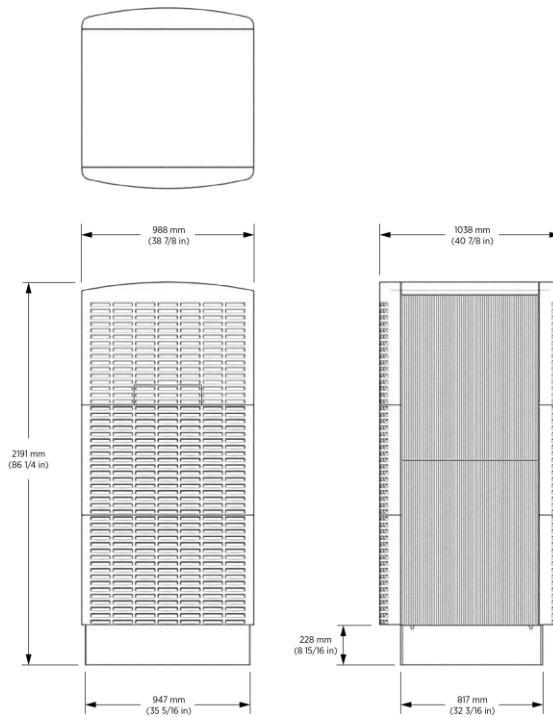


Express Plus Power Link, Commercial & Fleet Option with Screen

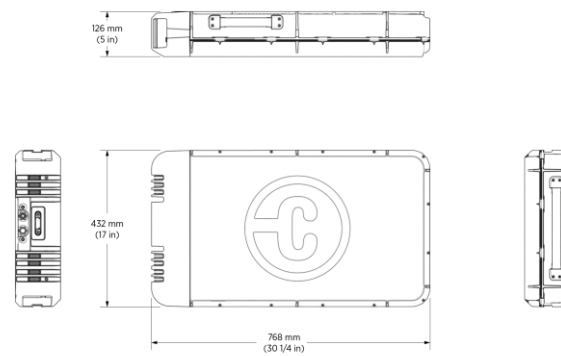


ChargePoint, Inc. reserves the right to alter product offerings and specifications at any time without notice, and is not responsible for typographical or graphical errors that may appear in this document

Express Plus Power Block



Express Plus Power Module



ChargePoint, Inc. reserves the right to alter product offerings and specifications at any time without notice, and is not responsible for typographical or graphical errors that may appear in this document



ChargePoint, Inc.
240 East Hacienda Avenue
Campbell, CA 95008-6617 USA

+1.408.841.4500 or
+1.877.370.3802 US and Canada toll-free

chargepoint.com

Contact Us

Visit chargepoint.com

Call +1.408.705.1992

Email sales@chargepoint.com

Copyright © 2021 ChargePoint, Inc. All rights reserved. CHARGEPOINT is a U.S. registered trademark/service mark, and an EU registered logo mark of ChargePoint, Inc. All other products or services mentioned are the trademarks, service marks, registered trademarks or registered service marks of their respective owners. February 2021. V.2021.04.001

ChargePoint, Inc. reserves the right to alter product offerings and specifications at any time without notice, and is not responsible for typographical or graphical errors that may appear in this document